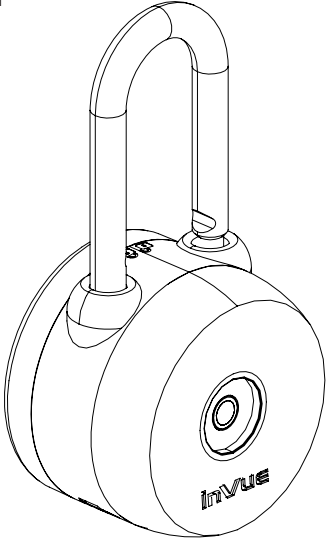
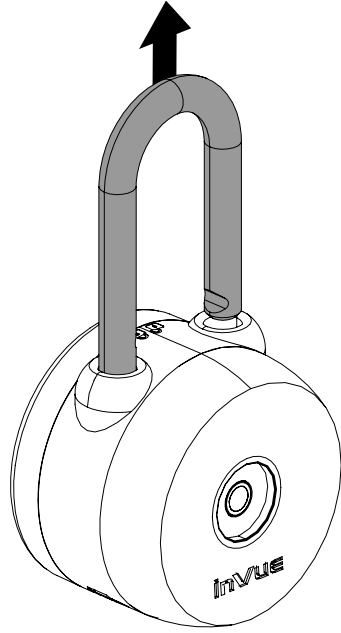


INVUE

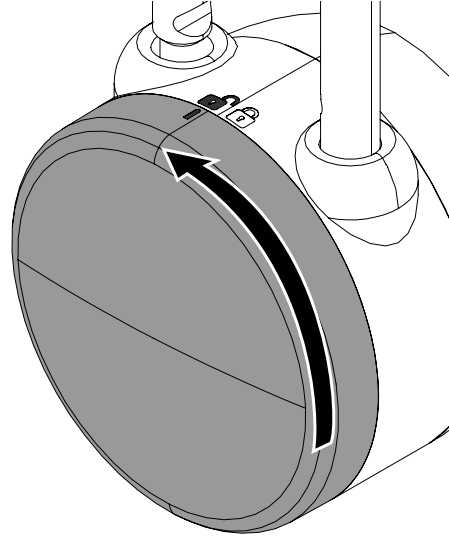
Smart Lock
OneKEY Padlock
PL601



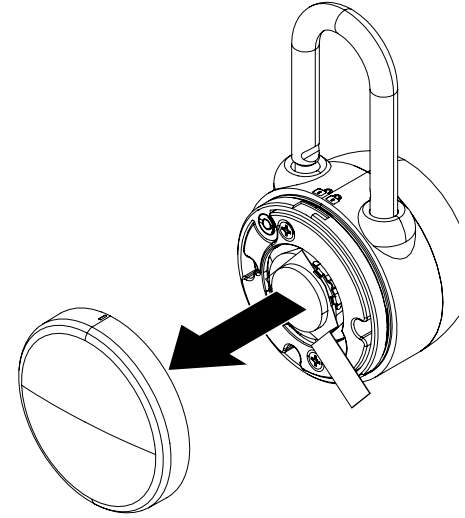
1 First Time Usage:
Pull the lock shackle from the lock body.



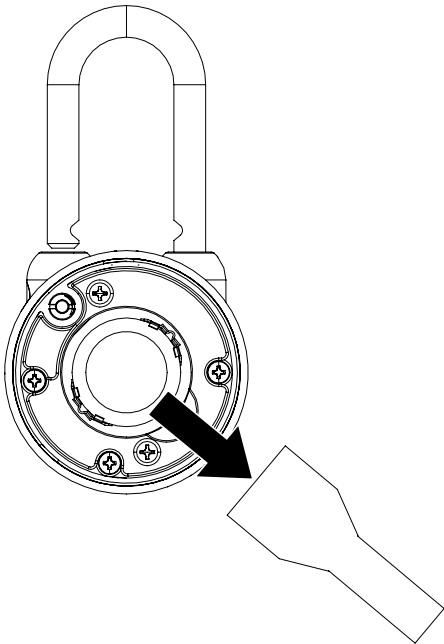
2 With the padlock in the unlocked state turn the back cover counterclockwise to align the scribe mark to the “unlocked” icon.



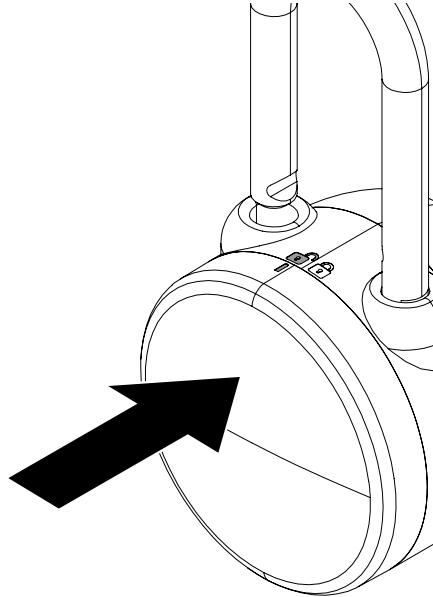
3 Remove the back cover from padlock.



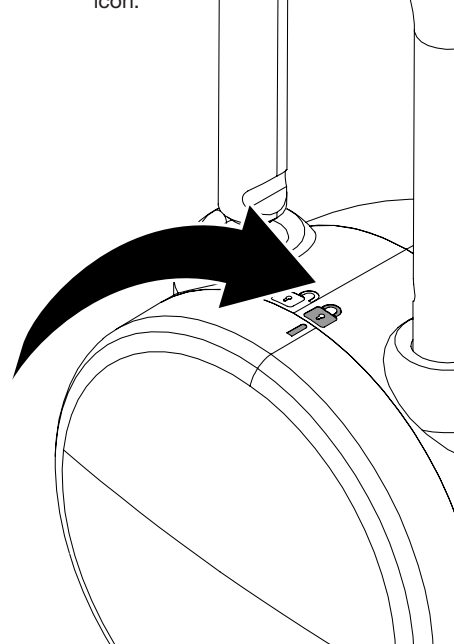
4 Remove the battery pull tab.



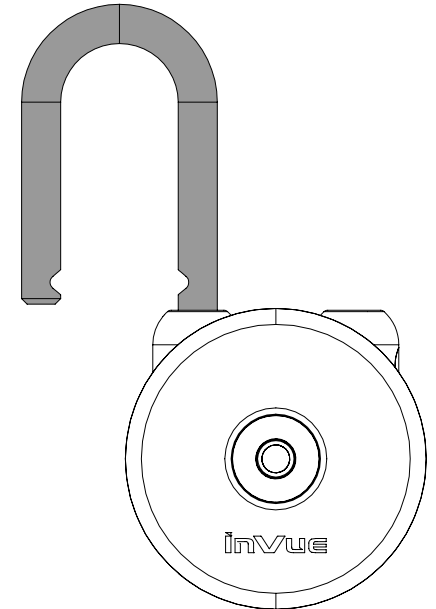
5 Replace the back cover, aligning the scribe mark with the “unlocked” icon.



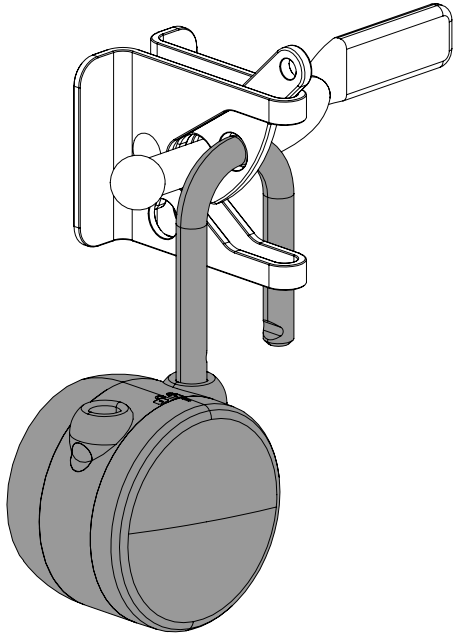
6 Rotate the back cover so that the scribe mark will align to the “locked” icon.



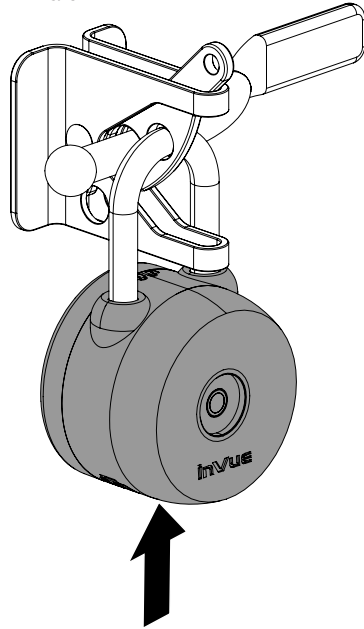
7 Installation:
Rotate the lock shackle out so that it will fit into the latch.



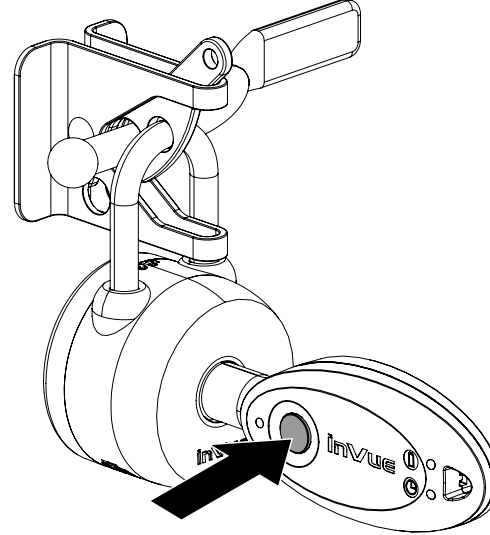
8 Fit the shackle through the latch.



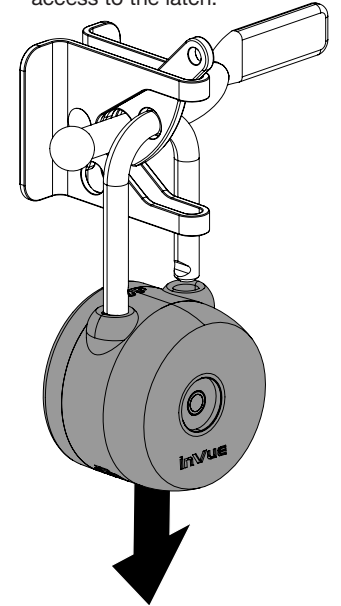
9 Swivel the lock body to the shackle and close the lock to secure the latch.



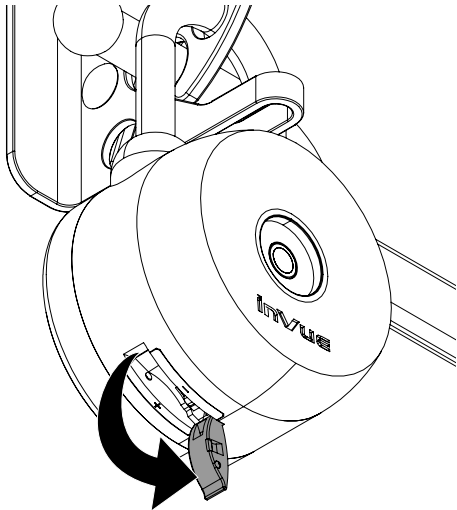
10 **Removal:**
To unlock the padlock, place a charged and coded OneKEY against the lens on the front of the padlock and press the button.



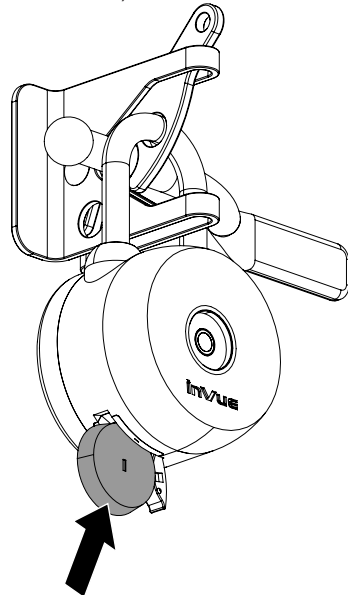
11 Pull down on the lock body. The lock will automatically relatch in 10 seconds. Remove the lock to gain access to the latch.



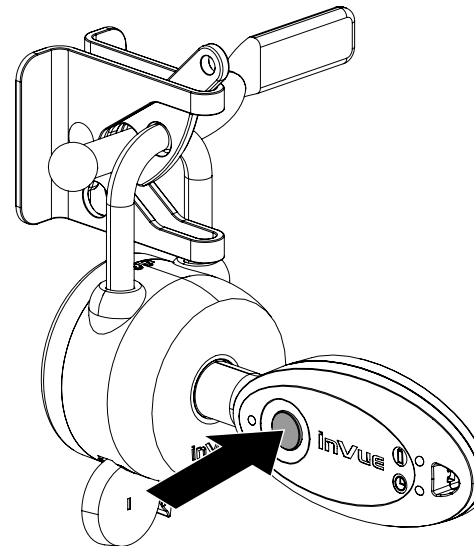
12 **Lock Jump Process & Battery Replacement:**
If the padlock has been in place long enough for the battery to die, rendering the padlock inoperative, begin by opening the small access panel on the bottom of the lock body.



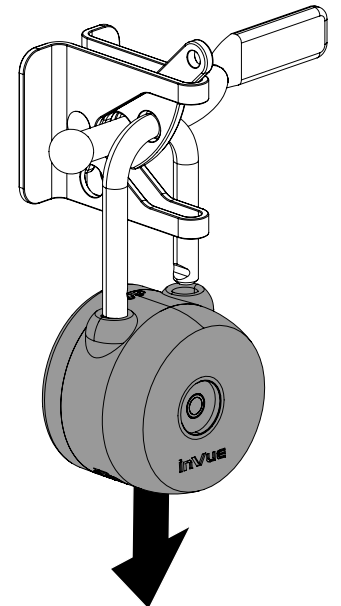
13 Insert the new CR2450 battery, paying attention to the polarity of the battery and the port ("+" to "+", "-" to "-").



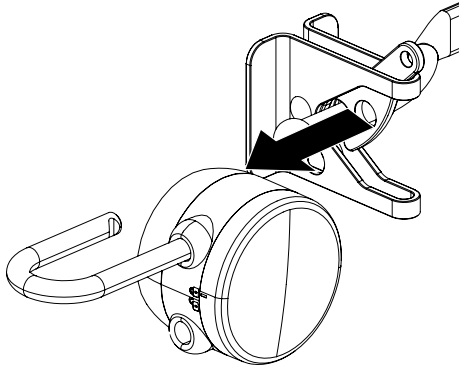
14 With the battery inserted, place a charged and coded OneKEY against the lens on the front of the padlock and press the button.



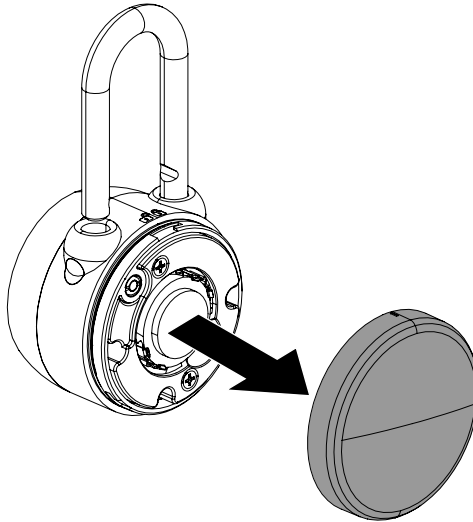
15 Pull down on the lock body once you hear the mechanism activate.



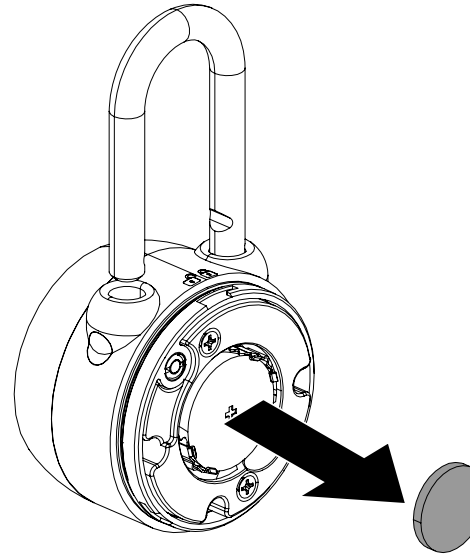
16 Remove the lock from the latch.



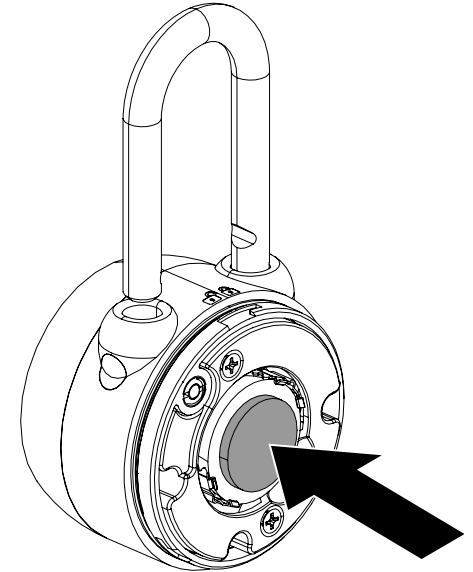
17 Remove the back cover as shown in Steps 1 & 2.



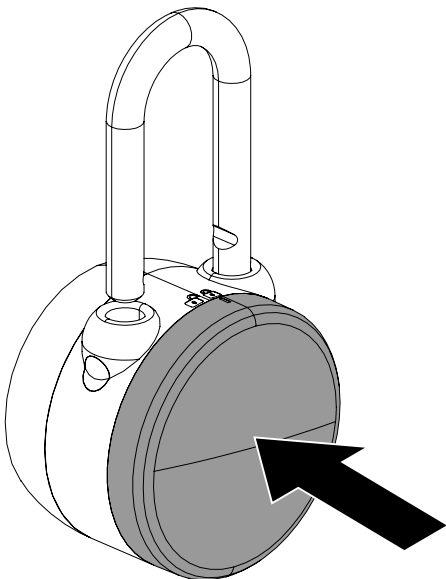
18 Remove the old battery.



19 Insert the new battery paying attention to the polarity of the battery and the port (“+” to “+”, “-” to “-”).



20 Replace the back cover as shown in steps 5 & 6. The padlock is now ready to be reused.



SD0768 Rev0 07/20/20

inVUE

www.invue.com

NA / LATAM // 704.752.6513 • 888.55.INVUE

EMEA // +31.23.8900150

APAC // +852.3127.6811

© 2020 InVue Security Products Inc. All rights reserved.
InVue is a registered trademark of InVue Security Products.